

# DHC800



### Feature

- 800A Contact switch capacity, Small volume;
- This product is non-polar type, the contact circuit is non-polar and can be connected in any direction while coil circuit is polar, please connect coil red wire to "+" & black wire to "-"
- Coil with energy saving device, the max hold in power consumption is 9W.
- Using ceramic brazing technology, the contact part is sealed with hydrogen gas, the contact would not oxidize, can quickly switch off the dc high voltage;

### 性能参数

Contact Data	Contact arrangement	1H(SPST-NO)
	Rated load(Resistive load)	800A
	Min applicable load (Resistive load)	1A/12VDC
	Max switch current	3000A(300VDC)1cycle
	Max switch voltage	1000VDC
Electrical endurance	Contact voltage drop(initial)	≤120mV@800A
	Current carrying capacity(a)	800A : continued
		1000A : 10min
		3000A : 4s
Ops	Pick-up time (at 20°C rated volt.)	≤50ms (Excluding contact bounce)
	Drop-out time (at 20°C rated volt.)	≤30ms
	Contact bounce time (at 20°C rated volt.)	≤10ms
	Dielectric strength	Between open contact
Between contact and coil		4000VAC 1min
Electrical endurance	Electrical endurance	300A 750VDC ≥6,000 ops
		600A 750VDC ≥500 ops
		800A 1000VDC ≥50 ops
Mechanical endurance		≥200,000ops

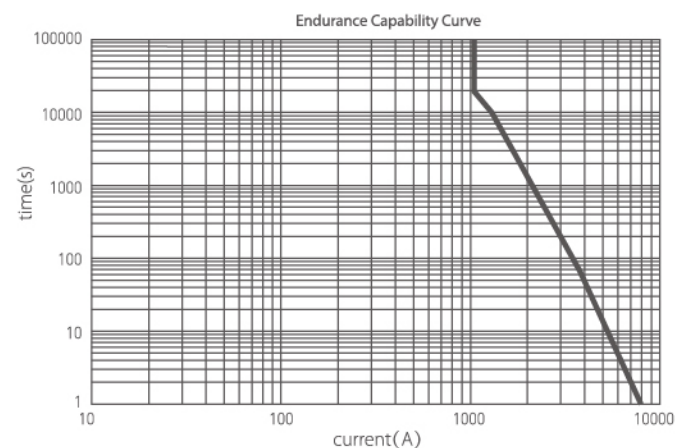
Note: (a): The above data is tested at ambient temperature, connecting wire cross section area≥300mm<sup>2</sup>  
 (b): Except for special instructions, the electric life On-off ratio is 1s:9s

### Coil Data

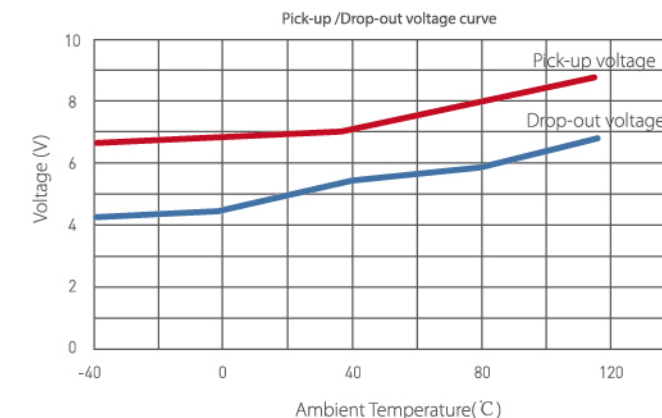
P/N	Nominal coil volt	Pick-up volt	Drop-out volt	Max operate volt	Rated current (±10%)	Rated power
DHC800	12V DC	≤9V DC	≥1V DC	16V DC	Pick-up: 4.2A Hold-in: 0.75A	Pick-up: 50W(0.2s Pick-up) Hold-in: 9W
	24V DC	≤18V DC	≥2V DC	32V DC	Pick-up: 2.1A Hold-in: 0.375A	Pick-up: 50W(0.2s Pick-up) Hold-in: 9W

For more information, please visit : [www.cndongya.com](http://www.cndongya.com)

### 阻性负载下的切换能力

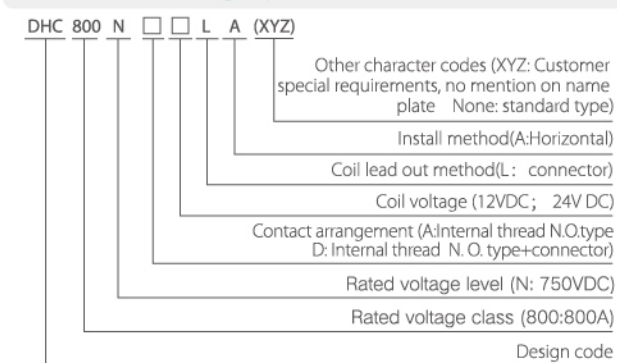


Note: The above data is tested at 85°C ambient temperature, connecting wire cross section area≥300mm<sup>2</sup>. The data is for reference only, please do not use to select the fuse directly.

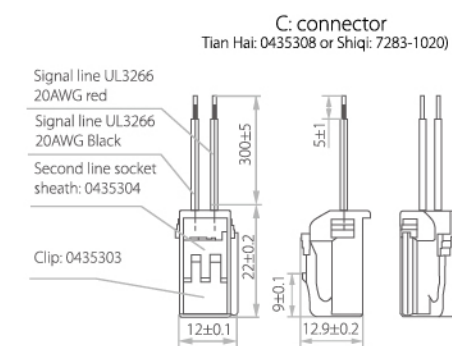


Note: The above data are tested by random sampling of coil volt. 12VDC product. The data is for reference only, (test qty:n=3)

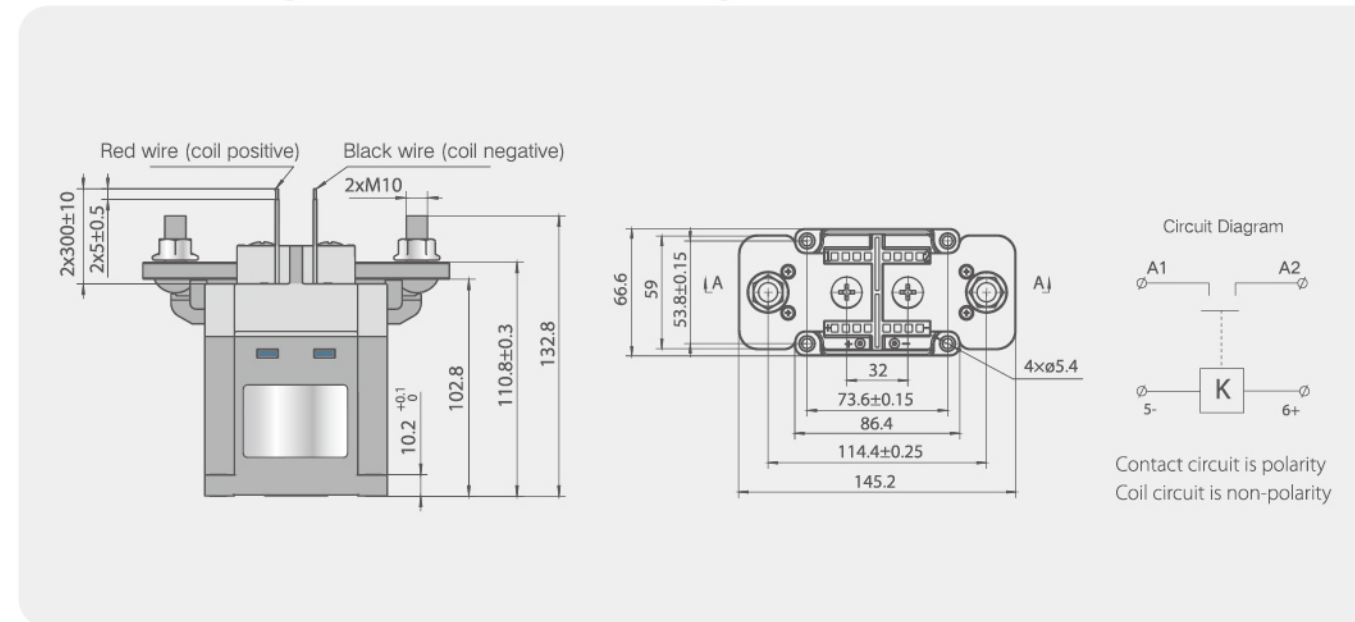
### Part Numbering System



### Coil lead-out method



### Outline mounting dimension and circuit diagram



Tolerance grade not noted	<10mm	±0.3
	10~50mm	±0.6
	>50mm	±1.0

Declaration: This product catalog is only for customers' reference. The products are constantly updated. If there is any change, no further notice will be given.