

# DHC200



### Feature

- 200A Contact switch capacity, Small volume ;
- A set of bridge type N.O.contacts; contact circuit has "+", "-" polarity;
- Coil with energy saving device, the max holding power consumption is 4.5W.
- Using ceramic brazing technology, the contact part is sealed with hydrogen gas. The contact does not oxidize, can quickly cut off in the dc high voltage;

### Performance Data

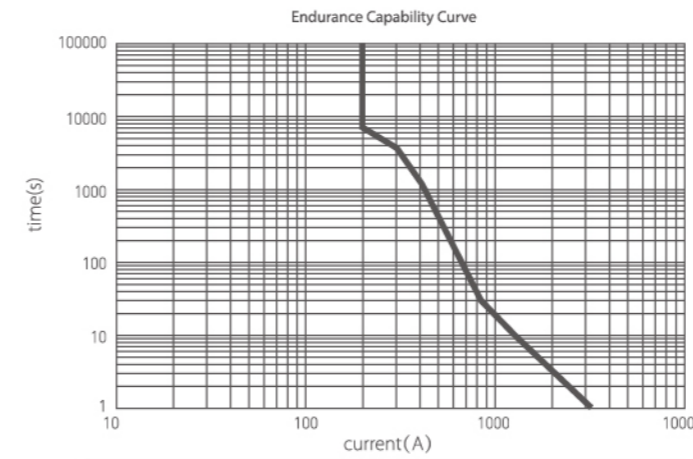
Contact Data	Contact arrangement	1H(SPST-NO)
	Rated load(Resistive load)	200A
	Min applicable load (Resistive load)	1A/12VDC
	Max switch current	2000A(300VDC)1cycle
	Max switch voltage	1000VDC
	Contact voltage drop(initial)	≤80mV@200A
Current carrying capacity(a)	200A	continued
	300A	60min
	400A	20min
	800A	30s
	2000A	0.6s
Electrical endurance	Pick-up time (at 20°C rated volt.)	≤30ms (Excluding contact bounce)
	Drop-out time (at 20°C rated volt.)	≤10ms
	Contact bounce time (at 20°C rated volt.)	≤5ms
	Dielectric strength	Between open contact: 3000VAC 1min Between contact and coil: 2500VAC 1min
Ops	Electrical endurance	200A 450VDC: ≥6,000 ops 200A 750VDC: ≥1,000 ops
	Mechanical endurance	≥200,000 ops

Note: (a): The above data is tested at ambient temperature, connecting wire cross section area≥60mm<sup>2</sup>  
(b): Except for special instructions, the Electrical endurance On-off ratio is 1s:9s

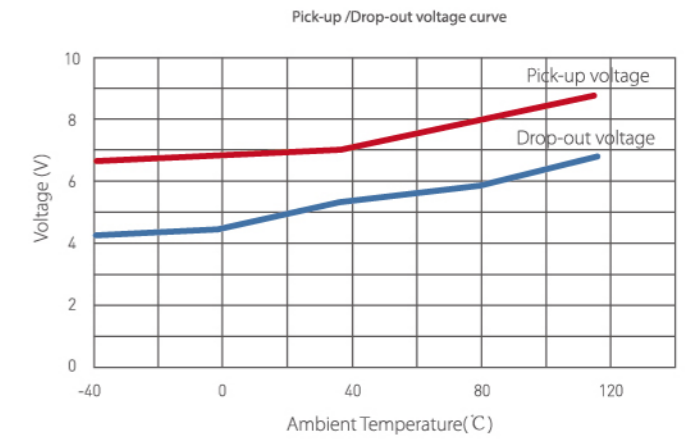
### Coil Data

Nominal coil volt	Pick-up volt	Release volt	Max operate volt	Rated current (±10%)	Rated power
12V DC	≤9V DC	≥1V DC	16V DC	Pick-up: 2.92A Hold-in: 0.375A	Pick-up: 35W(0.2s Pick-up) Hold-in: 4.5W
24V DC	≤18V DC	≥2V DC	32V DC	Pick-up: 1.46A Hold-in: 0.188A	Pick-up: 35W(0.2s Pick-up) Hold-in: 4.5W

### Power Switching Capacity for Resistive Load

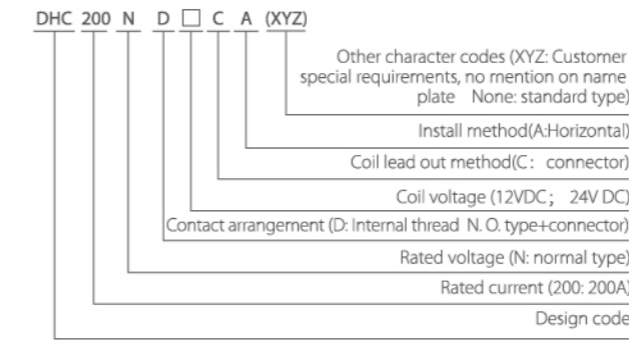


Note: The above data is tested at 85°C ambient temperature, connecting wire cross section area≥60mm<sup>2</sup>. The data is for reference only; please do not use to select the fuse directly.

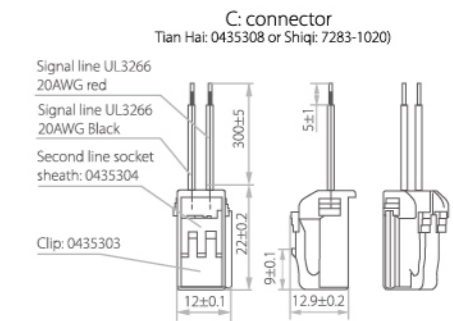


Note: The above data are tested by random sampling of coil volt. 12V DC product. The data is for reference only, (test qty: n=3)

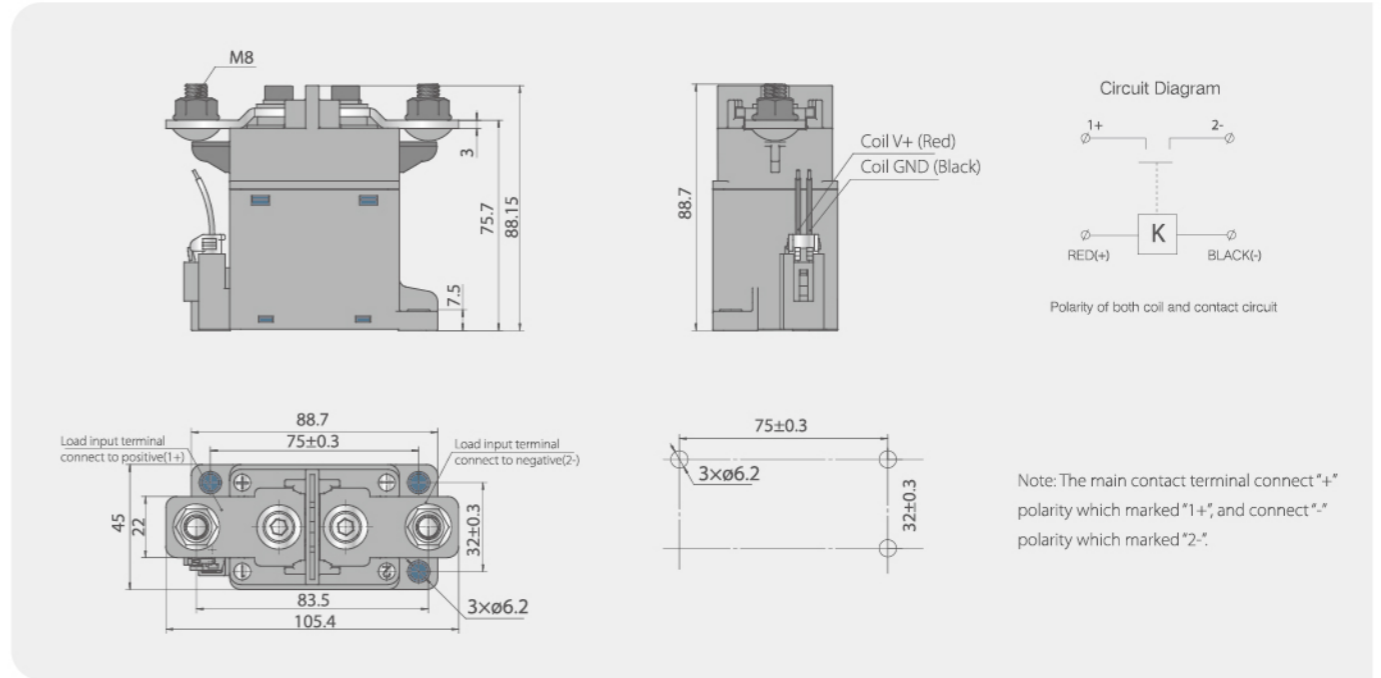
### Part Numbering System



### Coil lead-out method



### Outline mounting dimension and circuit diagram



Note: The main contact terminal connect "+" polarity which marked "1+", and connect "-" polarity which marked "2-".

Tolerance grade not noted	<10mm	±0.3
	10~50mm	±0.6
	>50mm	±1.0