

# DHC150



## Feature

- 150A Contact switch capacity, Small volume ;
- A set of bridge type N.O.contact;contact circuit has "+", "-" polarity;
- Using ceramic brazing technology, the contact part is sealed with hydrogen gas. The contact does not oxidize, can quickly cut off in the dc high voltage;

## Performance Data

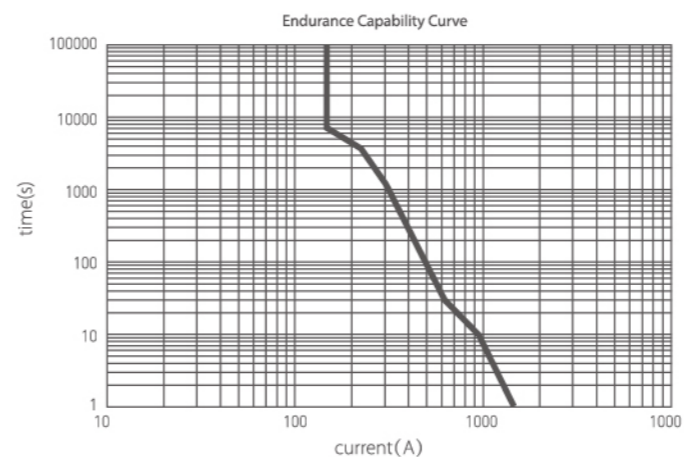
Contact Data	Contact arrangement	1H(SPST-NO)
	Rated load(Resistive load)	150A
	Min applicable load (Resistive load)	1A/12VDC
	Max switch current	1500A(300VDC)1cycle
	Max switch voltage	1000VDC
Electrical endurance	Current carrying capacity(a)	150A : continued 180A : 2h 300A : 10min 600A : 2min 900A : 30s
	Pick-up time (at 20°C rated volt.)	≤30ms (Excluding contact bounce)
	Drop-out time (at 20°C rated volt.)	≤10ms
	Contact bounce time (at 20°C rated volt.)	≤5ms
	Dielectric strength	Between open contact: 3000VAC 1min Between contact and coil: 4000VAC 1min
Ops	Electrical endurance	150A 450VDC: ≥6,000 ops 150A 750VDC: ≥1,000 ops
	Mechanical endurance	≥200,000 ops

Note: (a): The above data is tested at ambient temperature, Traverse area≥50mm<sup>2</sup>  
(b): Except for special instructions, the electric life On-off ratio is 1s:9s

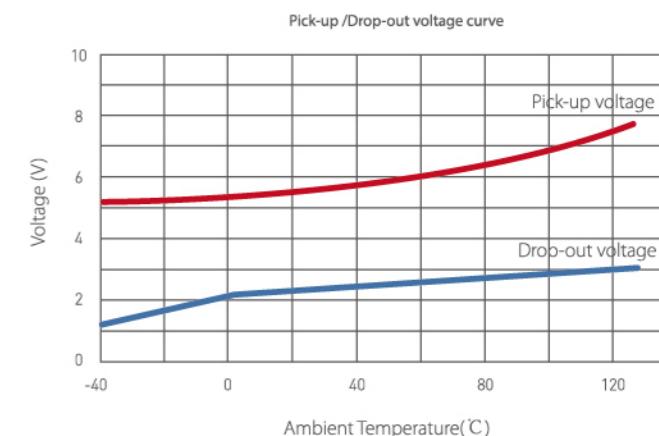
## Coil Data

Nominal coil volt	Pick-up volt	Release volt	Max operate volt	Rated current (±10%)	Rated power
12V DC	≤9V DC	≥1V DC	16V DC	0.5A	6W
24V DC	≤18V DC	≥2V DC	32V DC	0.25A	6W

## Power Switching Capacity for Resistive Load

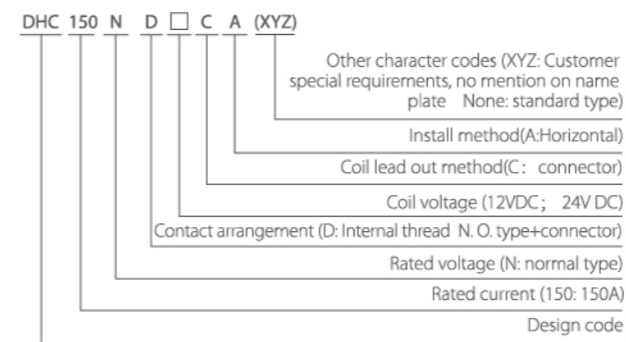


Note: The above data is tested at 85°C ambient temperature, Traverse area≥50mm<sup>2</sup>. The data is for reference only; please do not use to select the fuse directly.

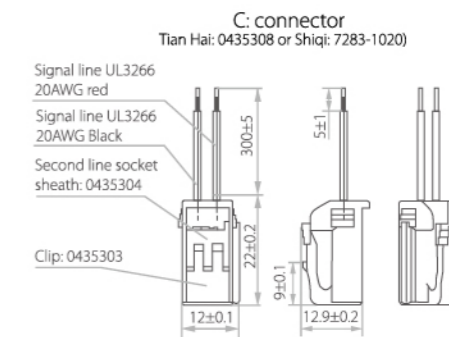


Note: The above data are tested by random sampling of coil volt. 12V DC product. The data is for reference only, (test qty:n=3)

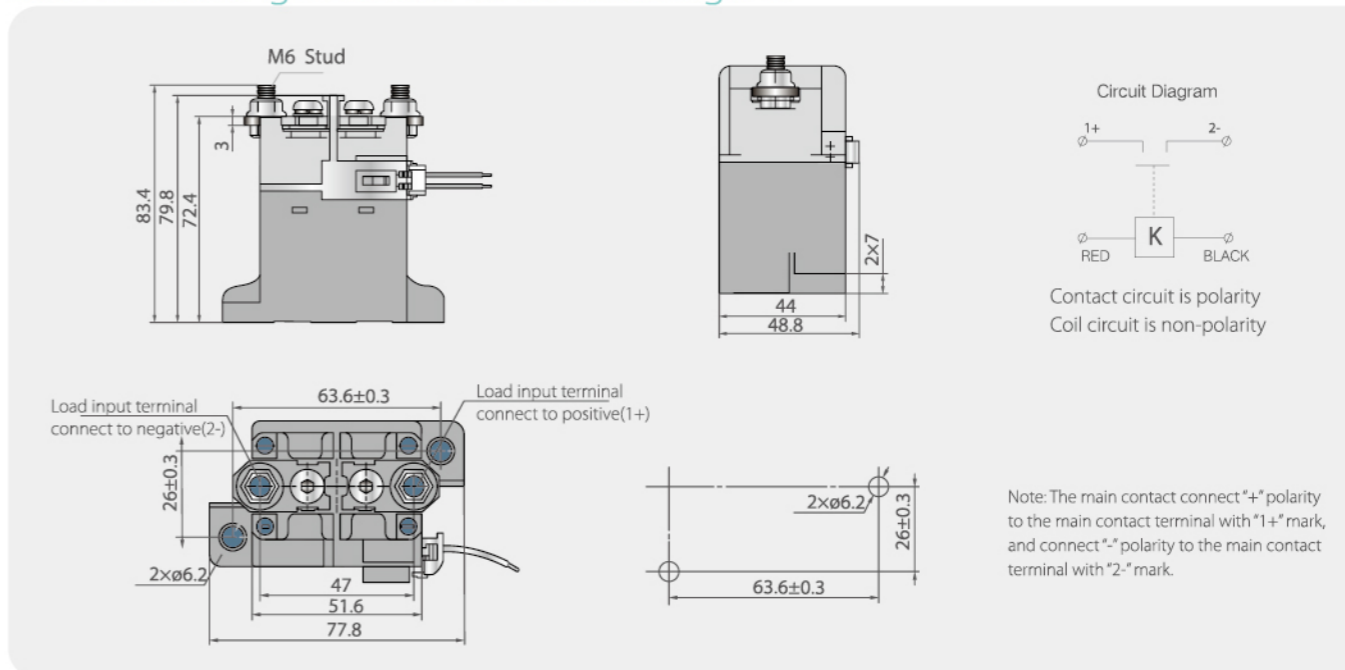
## Part Numbering System



## Coil lead-out method



## Outline mounting dimension and circuit diagram



Note: The main contact connect "+" polarity to the main contact terminal with "1+" mark, and connect "-" polarity to the main contact terminal with "2-" mark.

Tolerance grade not noted

<10mm	±0.3
10~50mm	±0.6
>50mm	±1.0