



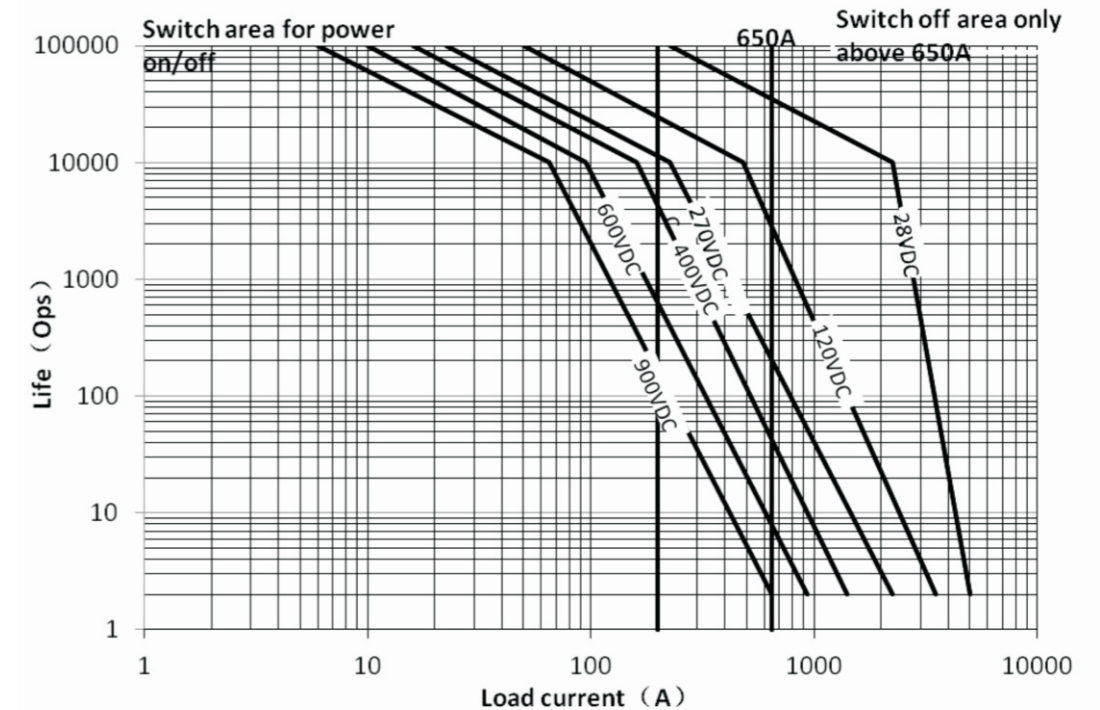
FEATURE

- 200A Contact switch capacity, Small volume;
- A set of bridge type N.O. contacts & a set of N.O. aux contact, contact circuit has "+", "-" polarity;
- Coil power is very low, coil maintain power Max 1.8W;
- Application: Telecom equipment、Solar system、Engineering machinery、Electromobile、Electric vehicle、Charging system、Train、Ships、UPS etc.;
- Comply with the ROHS

SPECIFICATION		
NO.	Product No.	DH200 Energy Saving
1	Contact type	1H(SPST-NO)
2	Rated load current of contact(Resistive load)	200A (DC-1)
3	The max switch current	2000A(320VDC) 1time
4	Contact voltage drop	≤80mV@200A
5	Switching voltage	12~900V DC
6	Standard pick-up time	Max. 30ms.
7	Contact bounce time	Max. 5ms.
8	Release time	Max. 10ms.
9	Vibration (Sinusoid、80~2000HZ、peak)	(80~2000)HZ, ≤20g
10	Shock (11ms,1/2 Sinusoid、peak、pick-up)	≤20g
11	Operating ambient temperature	-40°C~+85°C
12	Relative humidity	20%~90% RH
13	Insulation resistance	Min. 100MΩ @ 500VDC
14	Dielectric strength (Between Insulated Electric Parts)	2200VAC 50 Hz/60 Hz (1 minute) 1000VAC 50Hz/60Hz (1 minute) (between aux. contacts) Leak current < 1mA
15	Electrical life	Please refer to diagram of resistance load life
16	Mechanical life	300,000 times
17	Aux. contact type	1NO
18	Rated load of aux. contact	2A/24V
19	Min. load of aux. contact	100mA/8V
20	Mounting direction	Any direction
21	Working duty	Continuous

Resistive load life at different voltages						
P/N	Coil voltage (V)	Coil operating voltage (V)	Pick-up voltage (V)	Release voltage (V)	Starting current(A)	Maintain current(A)
DH200 Energy Saving	9~36	9~36	8~9	5.5~7	3.8	0.18@12V 0.09@24V
	32~95	32~95	29~31	23~25	1.3	0.03@48V

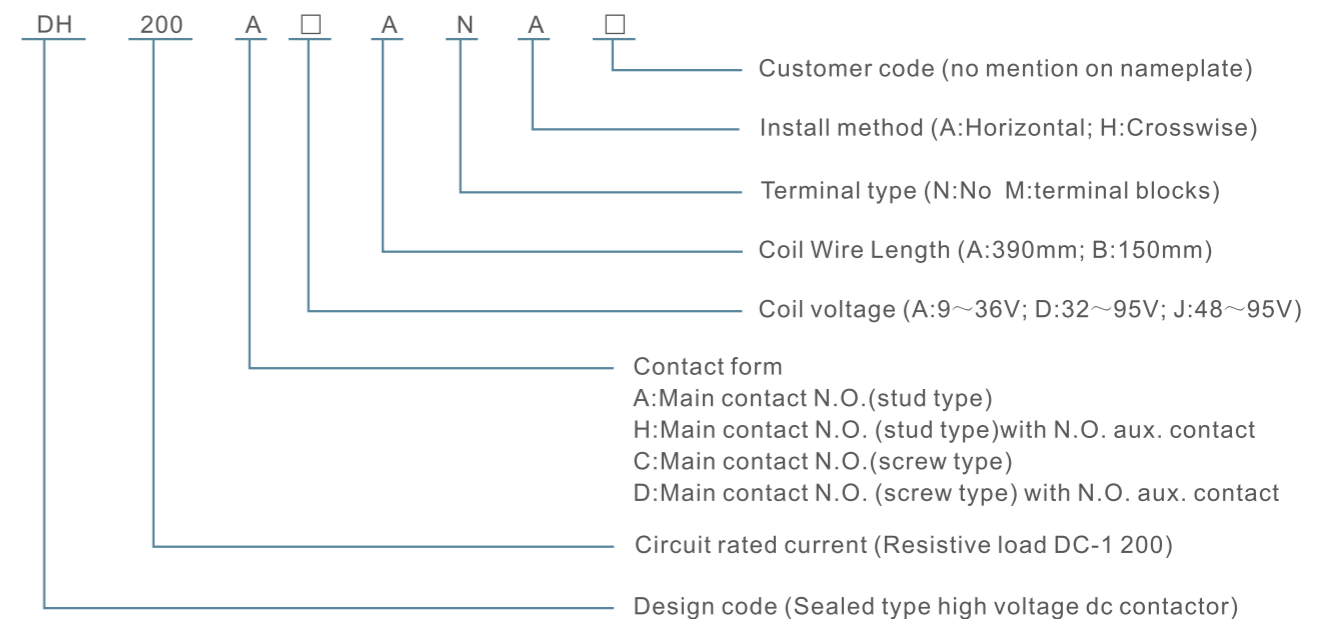
Resistive load life at different voltages



Note:

1. The rated electrical life is based on resistance load test. The load max inductance ≤ 300 μH; If used with inductive load, please do contact the factory first.
2. The above curve is drawn according to the test and infer data. Suggest users confirm in practical use.
3. When the product's Dielectric withstand voltage, insulation resistance is less than the product parameters in the table, the product is defined as a life to an end.
4. Product max pick-up current is 650A to avoid contact cold welding.

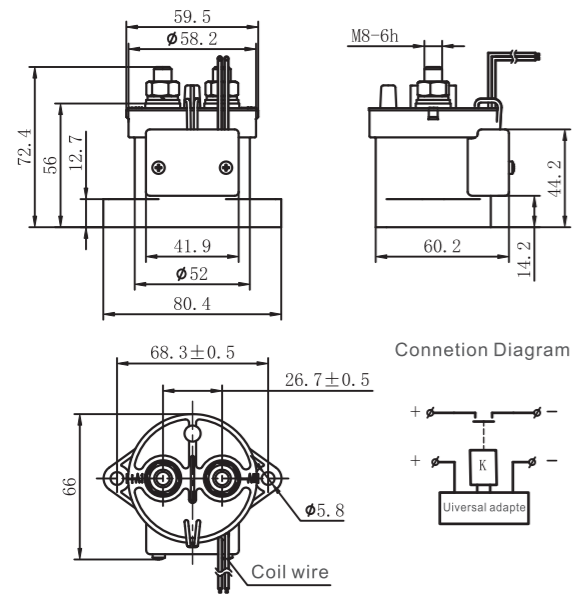
PRODUCT MODEL DEFINE



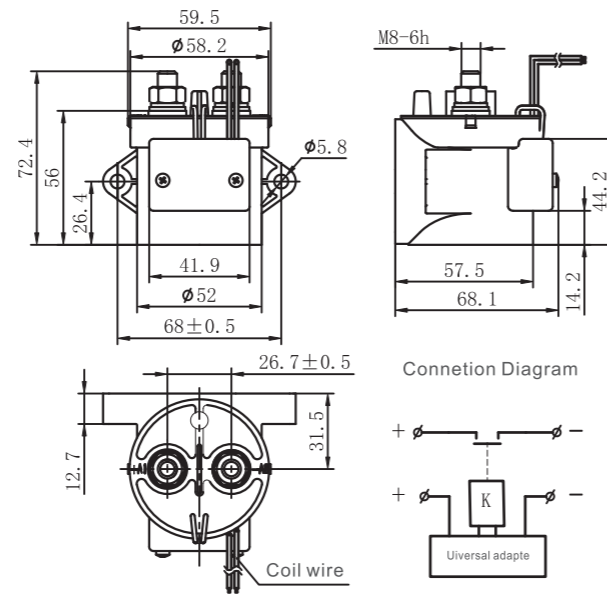
For example: DH200AAANA means: Sealed type high voltage dc contactor. Rated current is 200A at DC-1 load, main contact N.O. (stud type), without aux. contact, coil voltage is DC 9~36V, coil wire length is 390mm, horizontal installation.

Outline mounting dimension and circuit diagram

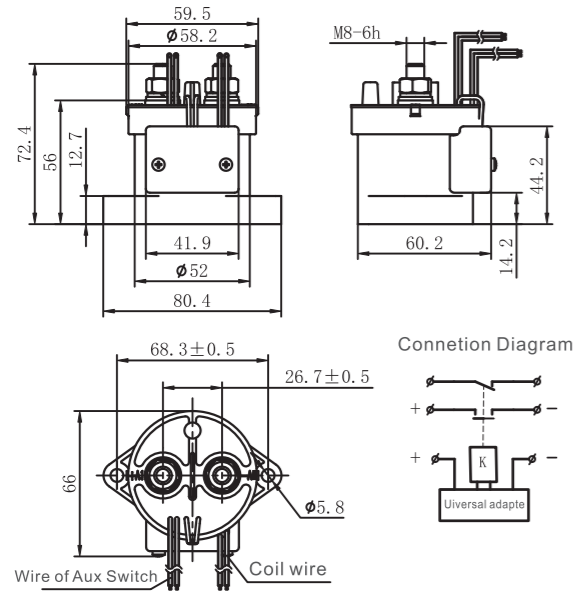
1、DH200A□□NA



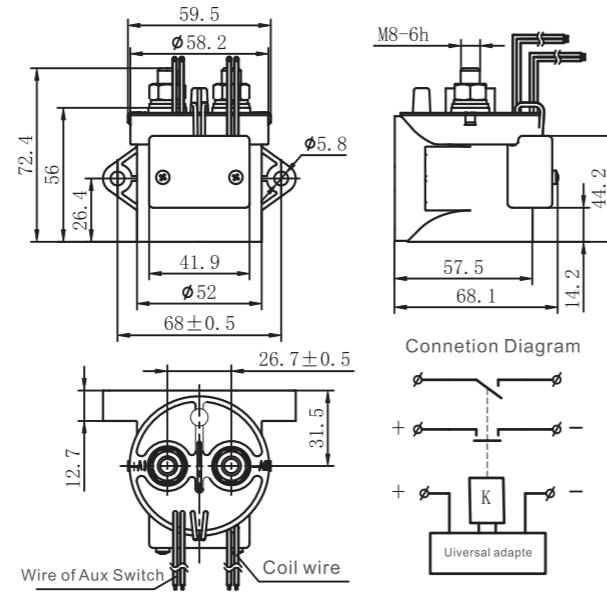
2、DH200A□□NH



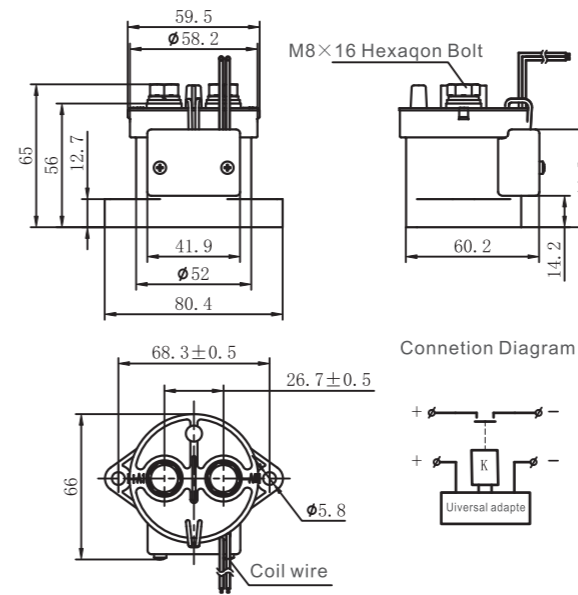
3、DH200H□□NA



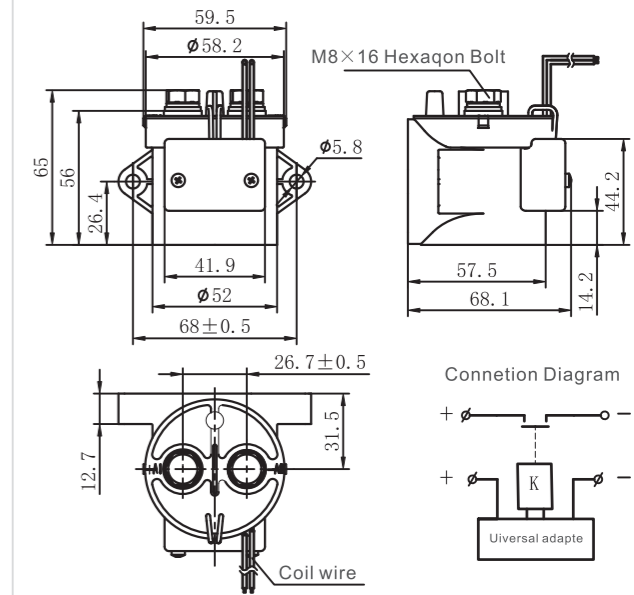
4、DH200H□□NH



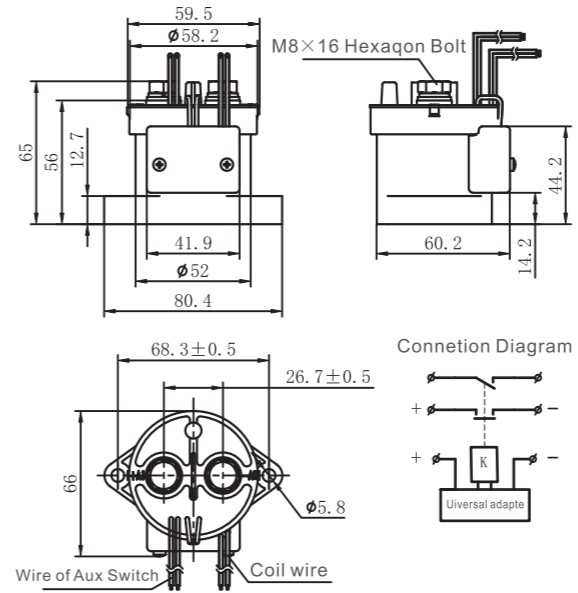
5、DH200C□□NA



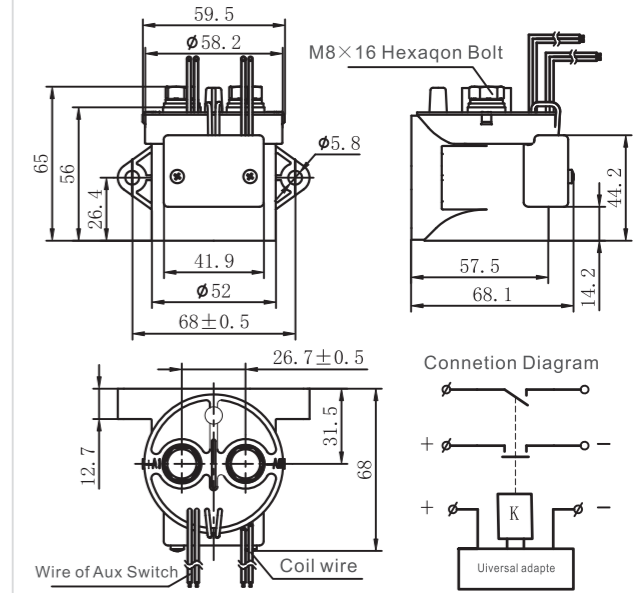
6、DH200C□□NH



7、DH200D□□NA



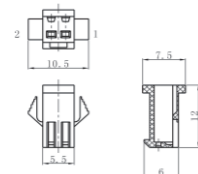
8、DH200D□□NH



Accessory

DH200series product with terminal part no is: DH200□□□□M□□, the additional code means terminal type.

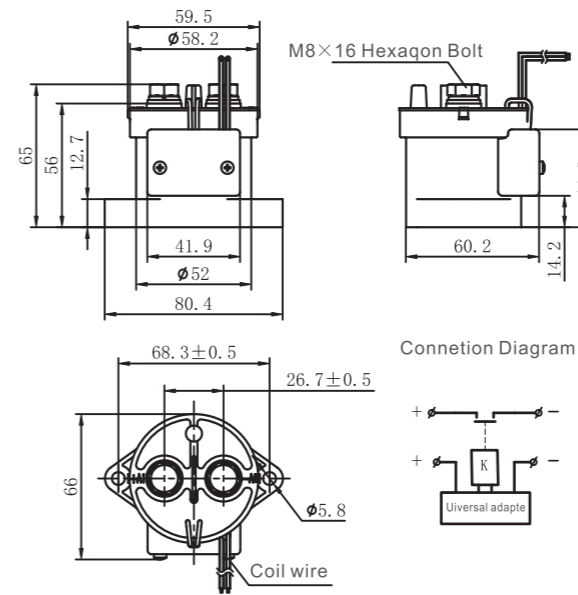
Additional code: M4
Terminal type: SM-2Y-HW
Terminal type: SMA-HW
Terminal dimension figure:



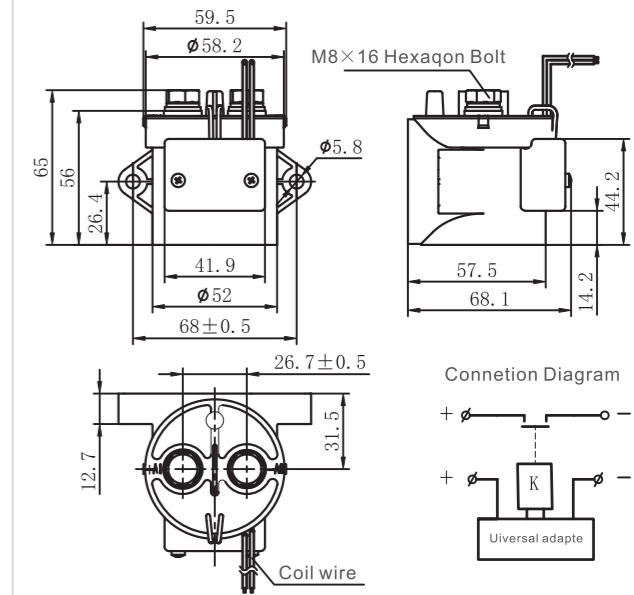
Fitted socket type: SM-2A-HW
Fitted terminal type: SMY-HW
The connector's two pinhole corresponding relationship with the coil lead-out wire:
1: Coil lead-out wire "+" terminal, red wire;
2: Coil lead-out wire "-" terminal, black wire.

Outline mounting dimension and circuit diagram

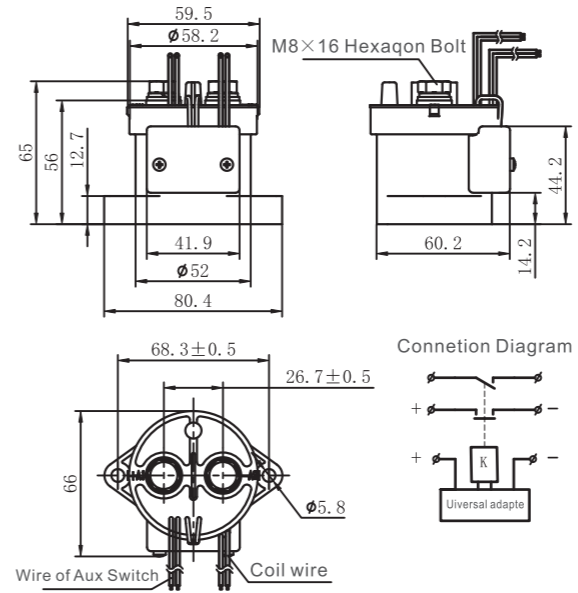
5、DH200C□□NA



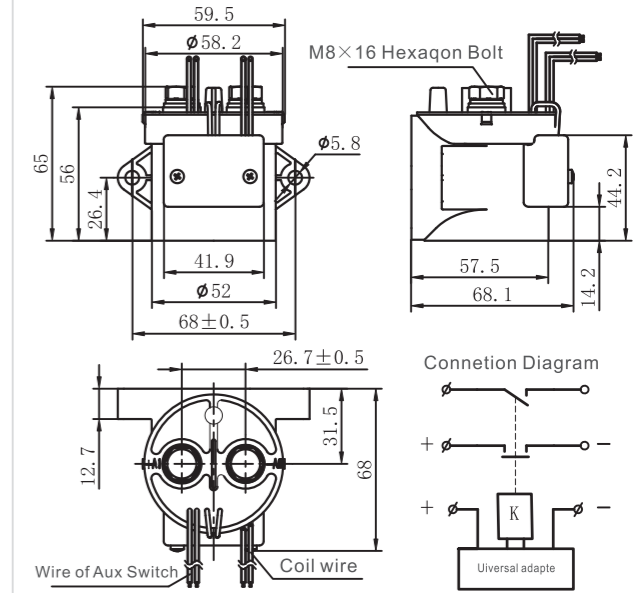
6、DH200C□□NH



7、DH200D□□NA



8、DH200D□□NH



Dimension (mm)	Tolerance grade not noted (mm)
0~30	±0.3
30~60	±0.5
60~100	±1
> 100	±2

Note:

- The outline mounting dimensions of products are same whether with or without aux. contact;
- Both coil and main contact are polarized; The lead-out wire of coil, please connect red wire to "+" polarity & black wire to "-" polarity; Connect "+" polarity to the main contact terminal with "+" mark, and connect "-" polarity to the main contact terminal with "-" mark.