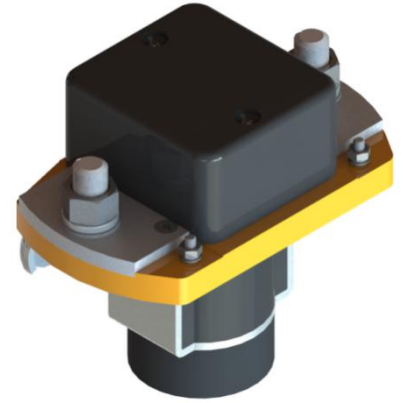


■ BZJ-800A

Series



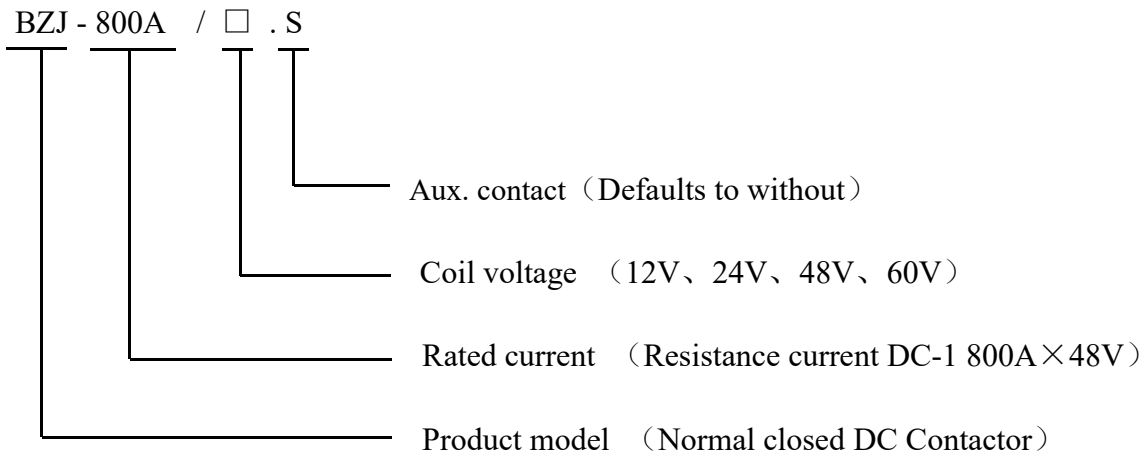
■ Contactor Data

Model	BZJ-800A/□
Contact Form	1D (SPST-NC)
Contact Material	Ag Alloy
Contact Rating(at Resistive Load)	800A × 48V DC (DC-1)
Contact Voltage Drop	≤80mV@800A
Insulation Resistance	Min. 100M Ω at 500VDC
Dielectric Strength (Between Insulated Electric Parts)	1000VAC 50 HZ/60 HZ (1 minute) Leak current<1mA
Mechanical Operations	100,000 Operations (no load)
Electrical Operations	6,000 Operations (at rated load)
Aux. contact	5A /24V DC; 2A/ 48VDC
Min. load of aux. contact	100mA/5V
Working duty	Continuous

■ Coil Data

Model	Coil voltage(V)	Coil Working voltage (V)	Pick-up Voltage (V)	Drop-out Voltage (V)	Starting Current(A)	Holding Current(A)
BZJ-800A	12	0.85U _s ~1.1U _s	≤70%	≥10%	≤23	≤1.5
	24				≤11	≤0.6
	48				≤6	≤0.3
	60				≤5	≤0.25

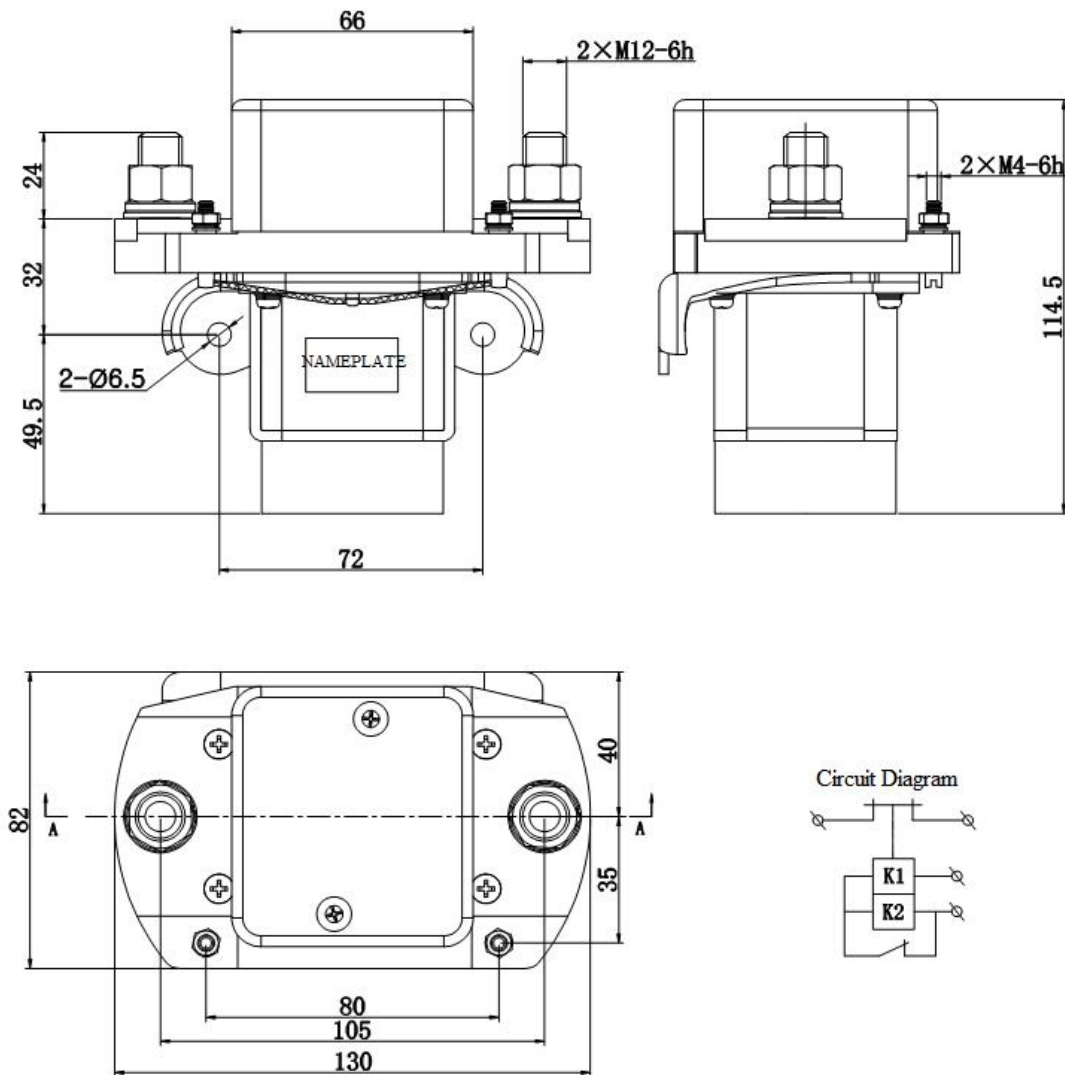
■ Part Numbering System



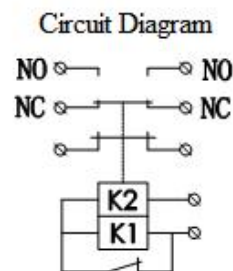
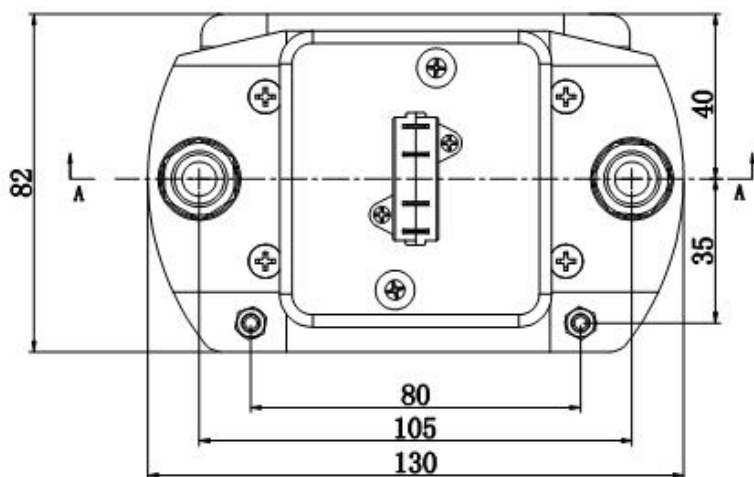
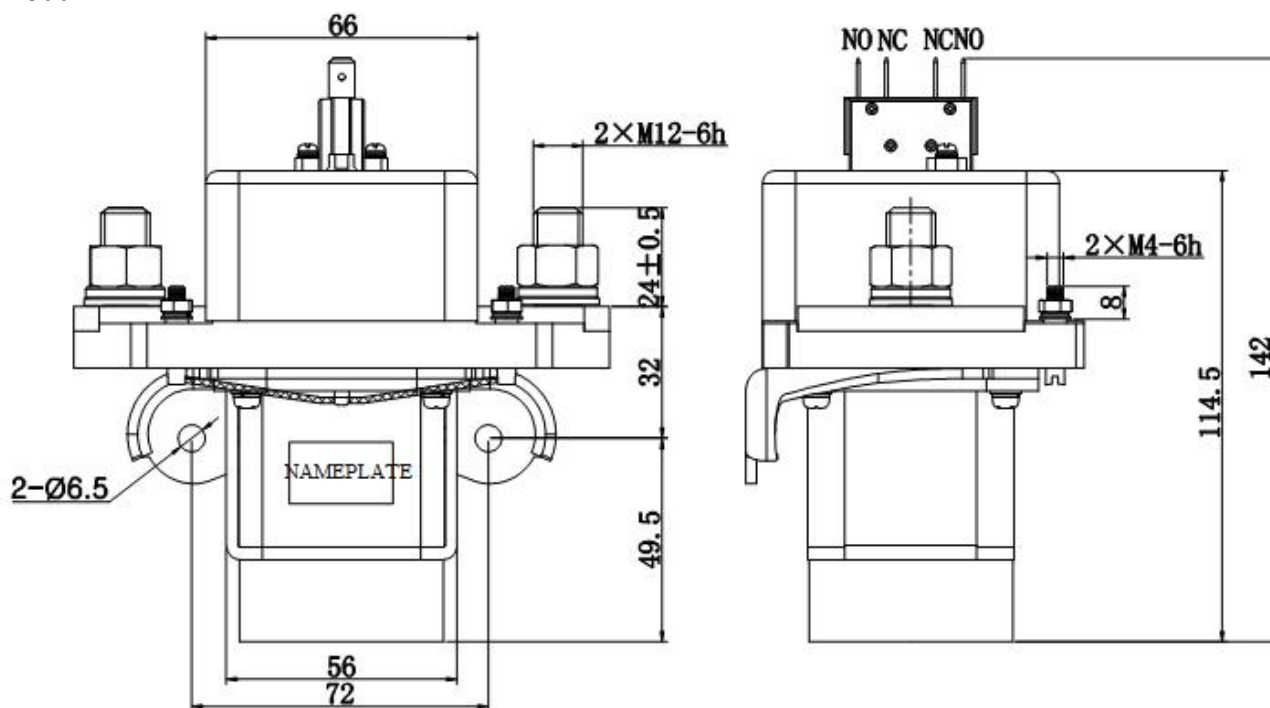
Example: BZJ-800A/48; means: Normal closed DC Contactor, 800A for DC-1 load rated current, coil voltage 48V DC.

■ Shape installation and circuit diagram

BZJ-800A/□ unit (mm)



BZJ-800A/□.S



尺寸 (mm) Dimension (mm)	未注尺寸公差 (mm) Tolerance grade not noted (mm)
0~30	±0.3
30~60	±0.5
60~100	±1
>100	±2

■ Remarks

1. While assemble contactor, tighten torque of nut of terminal screw in main circuit is 14~17.5N.m; tighten torque of nut of terminal screw in control circuit is 1~1.5N.m.
2. Driving circuit power for coil must be no less than coil power; otherwise, it will reduce cutting capacity of product.
3. Continuous applied voltage should not exceed the maximum permission voltage. Otherwise, abnormal heating of coil will shorten the life of insulating coating.
4. This contactor is non-waterproof, please don't use in water, solvent, oil and other environment that may

contact with the shell or terminal. Otherwise, it may cause abnormal heating due to the burn-in of shell or corrosion, dirty of terminal.